

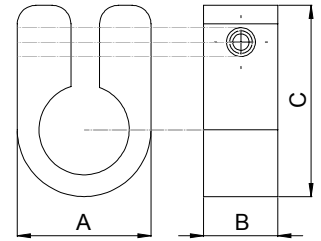
CLINGSTRAP Cable Cleat



The **CLINGSTRAP Cable Cleat** is a comprehensive range of single fixing cable cleats to provide a simple, but strong means of securing cables. Suitable for use with cables or pipes up to 50.8mm in diameter.

Material Polypropylene / LS Zero Halogen Polypropylene
Features High level of UV resistance
Operating Temp -35 to +105°C

Size	Cable Range		Stud Hole Size	Dimensions			Box QTY	Cleat Code	LSF Cleat Code
	Min	Max		A	B	C			
3	5.0	7.6	M6	12.5	15.0	26.5	5000	C3	C3LS
4	7.7	10.0	M6	15.0	15.0	27.0	5000	C4	C4LS
5	10.1	12.7	M6	17.0	16.0	29.7	4500	C5	C5LS
6	12.6	15.2	M6	19.5	16.5	33.0	3500	C6	C6LS
7	15.1	17.8	M6	25.0	19.5	36.0	2500	C7	C7LS
8	17.7	20.3	M6	26.0	19.5	38.0	1800	C8	C8LS
9	20.2	22.8	M6	29.0	19.5	42.0	1400	C9	C9LS
10	22.7	25.4	M6	32.5	22.0	46.0	1200	C10	C10LS
11	25.3	27.7	M10	36.0	22.0	50.5	800	C11	C11LS
12	27.6	30.5	M10	40.0	25.0	59.0	500	C12	C12LS
14	30.4	35.5	M10	46.5	25.0	63.0	500	C14	C14LS
16	35.4	40.6	M10	52.0	25.0	69.0	350	C16	C16LS
18	40.5	45.7	M10	58.0	25.0	72.5	300	C18	C18LS
20	45.6	50.8	M10	60.0	25.0	72.0	300	C20	C20LS



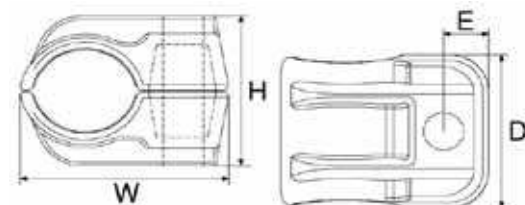
One Hole Cable Clamp



The **One Hole Cable Clamps** are a range of single hole fixing, two part cleats designed to fit cables 10.0mm to 51.0mm diameter. Manufactured from high strength polypropylene or halogen free nylon.

Material LS Zero Halogen Nylon
Features High level of UV resistance
Operating Temp -35 to +105°C

Size	Cable Range		Stud Hole Size	Dimensions				LS Cleat Code
	Min	Max		W	H	D	E	
10	10	13	M10	37.8	27.0	41.2	10.2	1F10LSF
11	13	16	M10	41.2	30.0	41.2	10.4	1F11LSF
12	16	19	M10	44.3	33.0	41.2	10.7	1F12LSF
13	19	23	M10	48.2	36.0	41.2	10.9	1F13LSF
14	23	27	M10	52.2	40.0	41.2	11.3	1F14LSF
15	27	32	M10	57.1	44.0	41.2	11.6	1F15LSF
16	32	38	M10	63.1	49.0	41.2	12.1	1F16LSF
17	38	46	M10	71.3	58.0	41.2	12.9	1F17LSF
18	46	51	M10	77.3	67.0	41.2	13.5	1F18LSF
19	51	57	M10	83.2	72.0	41.2	13.9	1F19LSF

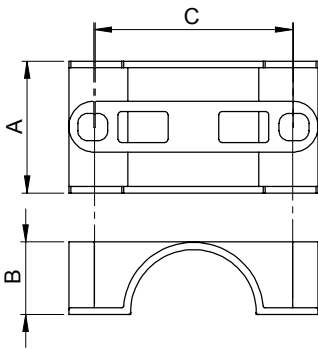


TC Two Hole Cable Clamp



The **TC Two Hole Cable Clamps** are a range of two hole fixing, two part cleats designed to fit cables 50mm to 135mm diameter. Manufactured from high strength polypropylene and designed to be easily stacked to save time and space.

Material Polypropylene / LS Zero Halogen Polypropylene
Features High level of UV resistance
Operating Temp -35 to +105°C



Available in red to order

Size	Cable Range		Stud Hole Size	Dimensions			Box QTY	Cleat Code	LS Cleat Code
	Min	Max		A	B	C			
8	41	48	2 x M10	59.0	31.0	75.0	100	TC8	TC8LS
9	48	57	2 x M10	60.0	32.0	76.2	100	TC9	TC9LS
10	57	64	2 x M10	60.0	35.0	76.2	100	TC10	TC10LS
11	64	70	2 x M10	62.5	40.0	114.3	50	TC11	TC11LS
12	70	76	2 x M10	62.5	44.0	114.3	50	TC12	TC12LS
14	76	85	2 x M10	63.5	46.5	114.3	50	TC14	TC14LS
15	83	105	2 x M10	73.0	54.0	147.0	25	TC15	TC15LS
16	105	112	2 x M10	90.0	74.0	139.0	25	TC16	TC16LS
17	112	120	2 x M10	90.0	78.0	139.0	25	TC17	TC17LS
18	120	128	2 x M10	100.0	82.5	157.0	25	TC18	TC18LS
19	128	135	2 x M10	100.0	87.0	157.0	25	TC19	TC19LS

Note: TC Clamps are available from stock manufactured in Red material, please contact sales for more information.

Fixing Studs & Accessories



Code	Description
M10-100	M10 x 100mm Threaded Stud
M10-125	M10 x 125mm Threaded Stud
M10-150	M10 x 150mm Threaded Stud
M10-225	M10 x 225mm Threaded Stud
M10-FN	M10 Full Nut
M10-W	M10 Flat Washer

All fixings are Bright Zinc Plated Mild Steel.

Channel Nuts



Code	Description
ZE6L6	M6 Channel nut - Long spring
ZE6L10	M10 Channel nut - Long spring

Stainless Steel
 Available on Request